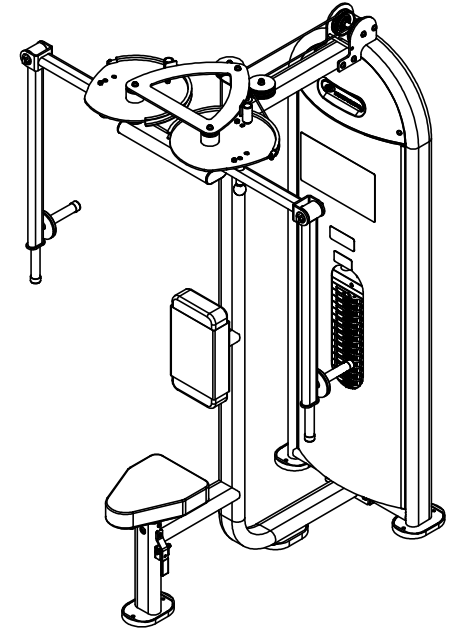
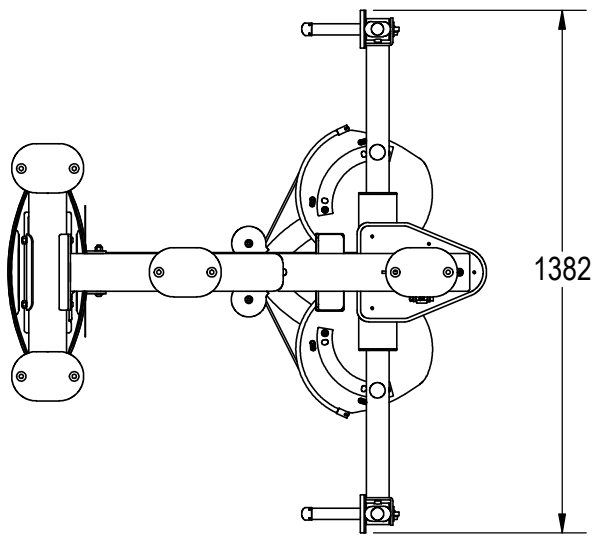
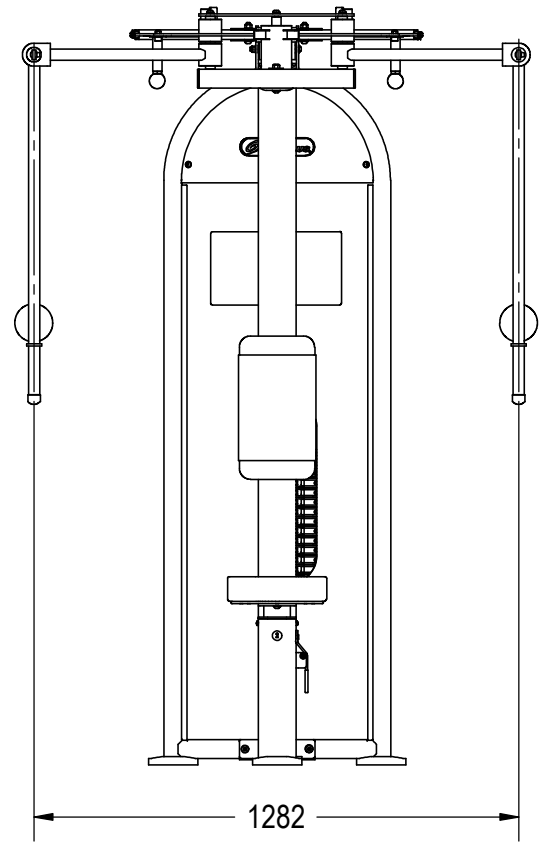
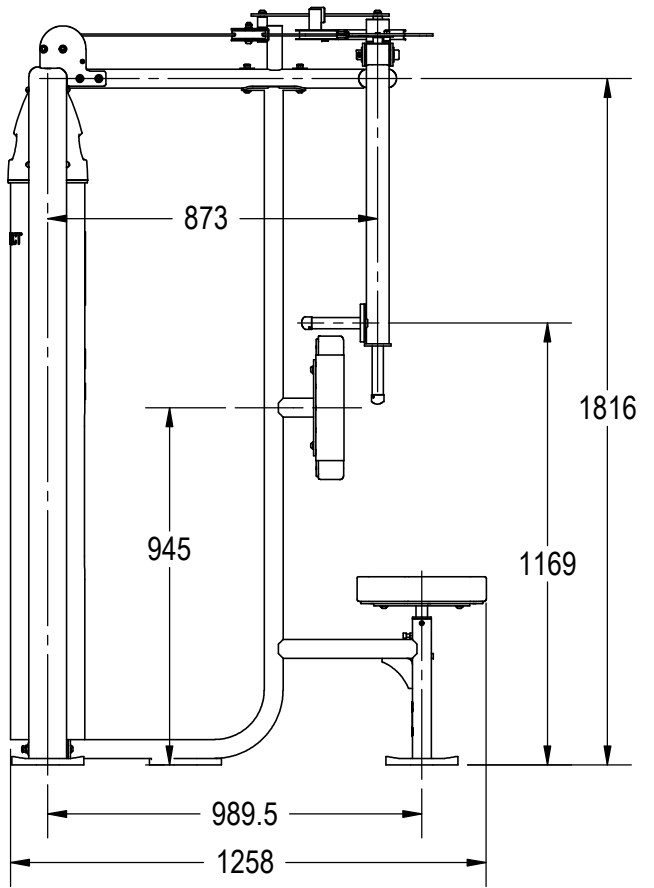


NOTES:

1. ASSEMBLE AND INSPECT PER SOP 620-7918..
2. INSTALL Kg STICKER AND AFFIX Lb STICKER TO INSIDE OF SHROUD WITH TAPE.
3. COLOR DICTATED BY THE SALES ORDER. REFERENCE THE MACHINES BOM FOR COMPONENTS CONTAINING -XX, -00XX AND -XXXXX.
  - a. COLOR: -XX COLOR DESIGNATOR AS SPECIFIED IN SOP 620-8222.
  - b. THE -XX CAN RESULT IN ONE COLOR FOR THE METAL SHROUD AND A DIFFERENT COLOR FOR THE METAL FRAME ALSO WITH A -XX LISTED ON THE BOM.
  - c. THE -00XX IS THE COLOR DESIGNATOR FOR UPHOLSTERY.
  - d. THE 5TH DESIGNATOR: "X" WITHIN -XXXXX DEFINES THE HEAD STRAP OR CUSTOM PRODUCTS BRAND. THIS IS SPECIFIED ON SALES ORDERS.
  - e. THE -XXXXX IS CREATED BY COMBINING THE -XX, -00XX AND THE 5TH DESIGNATOR.
  - f. ALL X'S SHOULD BE DEFINED ON THE SALES ORDER.

| REVISION HISTORY |           |                 |       |    |
|------------------|-----------|-----------------|-------|----|
| REV              | DATE      | DESCRIPTION     | ECO   | BY |
| A                | 7/27/2016 | INITIAL RELEASE | 15469 | AM |



**DOCUMENT STATUS:**

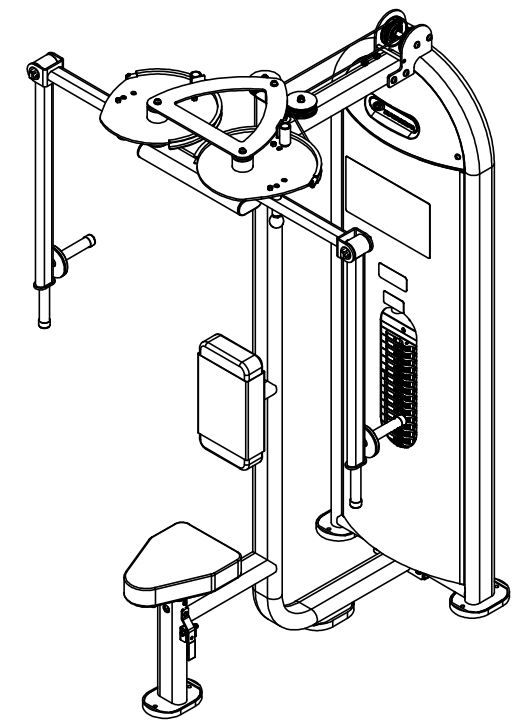
NOTICE OF PROPRIETARY INFORMATION  
THIS DOCUMENT SHALL NOT BE REPRODUCED NOR SHALL THE INFORMATION CONTAINED HEREIN BE USED BY OR DISCLOSED TO OTHER EXCEPT AS EXPRESSLY AUTHORIZED BY CORE HEALTH & FITNESS, LLC.

| CLASS OF WORK   | UNLESS OTHERWISE SPECIFIED DIMS ARE IN mm. TOLERANCES FOR MEASURE OF LENGTH ARE: |          |           |             |              |               |                | ANGLES = ±2° |
|-----------------|--|----------|-----------|-------------|--------------|---------------|----------------|--------------|
|                 | 0.5 to 3   | > 3 to 6 | > 6 to 30 | > 30 to 120 | > 120 to 400 | > 400 to 1000 | > 1000 to 2000 |              |
| FINE            | ±0.05  | ±0.05    | ±0.1      | ±0.15       | ±0.2         | ±0.3          | ±0.5           | ----         |
| MEDIUM <b>X</b> | ±0.1   | ±0.1     | ±0.2      | ±0.3        | ±0.5         | ±0.8          | ±1.2           | ±2           |
| COARSE          | ±0.2   | ±0.3     | ±0.5      | ±0.8        | ±1.2         | ±2            | ±3             | ±4           |
| VERY COARSE     | ----   | ±0.5     | ±1        | ±1.5        | ±2.5         | ±4            | ±6             | ±8           |

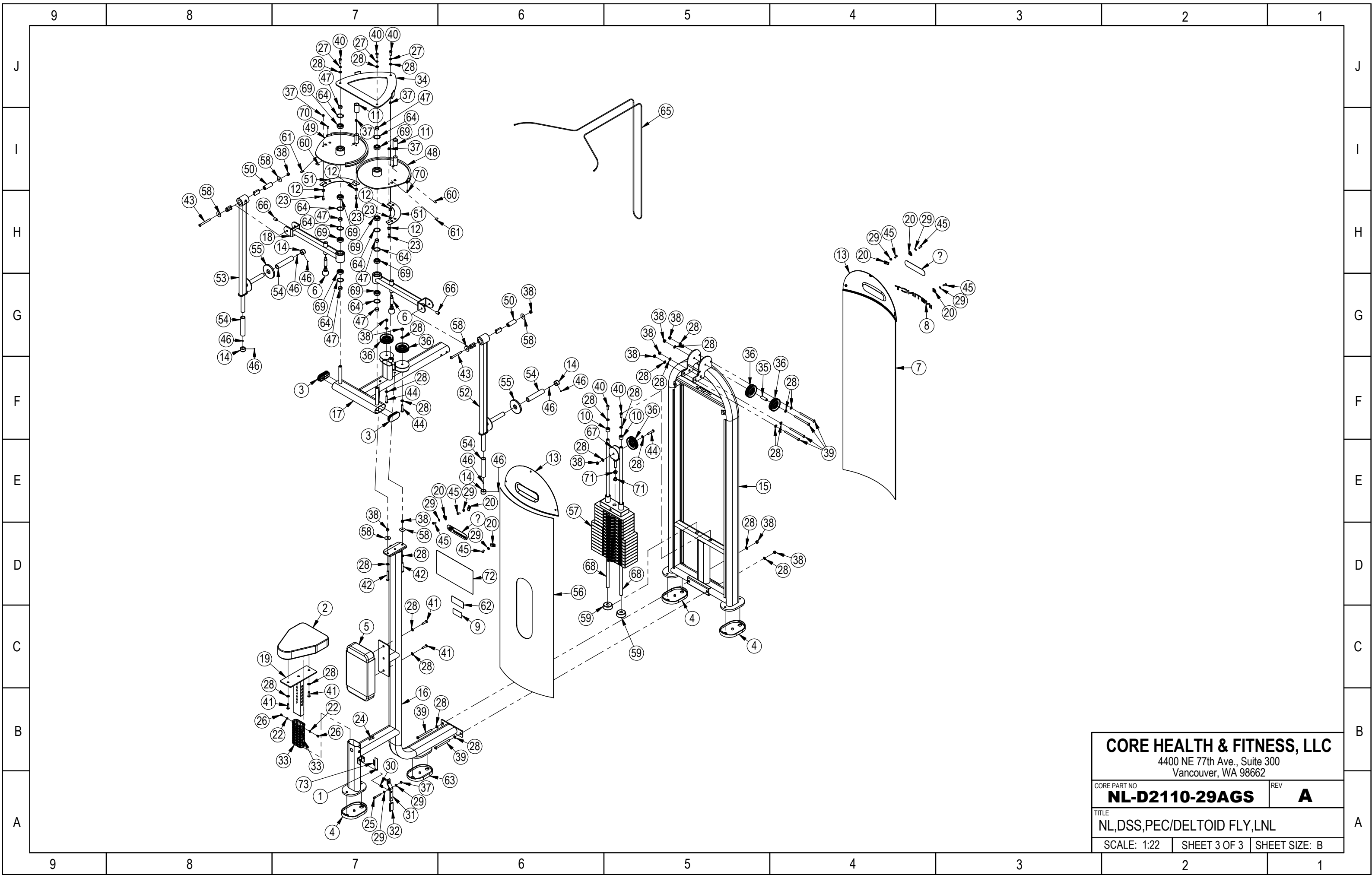
|                            |                                   |         |
|----------------------------|-----------------------------------|---------|
| <b>MATERIAL</b><br>SEE BOM | <b>THIRD ANGLE PROJECTION</b><br> |         |
| <b>FINISH</b><br>SEE NOTES | DRAWN                             | DATE    |
| <b>VENDOR: IMPULSE</b>     | INITIAL<br>AM                     | 7/27/16 |
| P/N:                       | U.O.M.                            | MM      |

|  |              |               |
|--|--------------|---------------|
| <b>CORE HEALTH &amp; FITNESS, LLC</b><br>4400 NE 77th Ave., Suite 300<br>Vancouver, WA 98662 |              |               |
| CORE PART NO   | REV          |               |
| <b>NL-D2110-29AGS</b>  | <b>A</b>     |               |
| TITLE<br>NL,DSS,PEC/DELTOID FLY,LNL  |              |               |
| SCALE: 1:20  | SHEET 1 OF 3 | SHEET SIZE: B |

| 9 |          | 8           |  | 7 |  | 6     |  | 5        |              | 4                                       |  | 3 |       | 2 |  | 1 |  |   |
|---|----------|-------------|--|---|--|-------|--|----------|--------------|---|--|---|-------|---|--|---|--|---|
|   | ITEM NO. | PART NUMBER | DESCRIPTION                                |   |  | Q'TY. |  | ITEM NO. | PART NUMBER  | DESCRIPTION                             |  |   | Q'TY. |   |  |   |  |   |
| J | 1        | 050-5457    | Label, S/N, Non-Powered, Primary, Core H&F |   |  | 1     |  | 46       | 730-1155     | SCREW,10-32X3.2,SET                     |  |   | 8     |   |  |   |  | J |
|   | 2        | 730-0194    | PAD,SEAT,IN-B7201                          |   |  | 1     |  | 47       | 730-1166     | SPACER, 20.5 ID X 12MM                  |  |   | 6     |   |  |   |  | I |
|   | 3        | 730-0199    | CAP,FLAT,ELLIPSE TUBE,100X50               |   |  | 2     |  | 48       | 730-1167     | CAM, IN-D2110C, LEFT                    |  |   | 1     |   |  |   |  |   |
|   | 4        | 730-0216    | PAD,FOOT,FRAME,WELDED                      |   |  | 3     |  | 49       | 730-1168     | CAM, IN-D2110C, RIGHT                   |  |   | 1     |   |  |   |  |   |
| I | 5        | 730-0282    | PAD,BACK REST,IN-S1012                     |   |  | 1     |  | 50       | 730-1169     | SHAFT, 25.4 OD X 69MM                   |  |   | 2     |   |  |   |  |   |
|   | 6        | 730-0285    | PULL PIN,ASSY                              |   |  | 2     |  | 51       | 730-1170     | PLATE, ADJUSTMENT, IN-D2110             |  |   | 2     |   |  |   |  | I |
|   | 7        | 730-0298    | SHROUD,REAR,IN-D2110                       |   |  | 1     |  | 52       | 730-1171     | ARM, IN-D2110C, RIGHT                   |  |   | 1     |   |  |   |  |   |
|   | 8        | 730-0384    | LOGO,INSTINCT                              |   |  | 1     |  | 53       | 730-1172     | ARM, IN-D2110C, RIGHT                   |  |   | 1     |   |  |   |  |   |
|   | 9        | 730-0385    | STICKER,CAUTION,PINCH POINT                |   |  | 1     |  | 54       | 730-1173     | HANDLE,RUBBER,GRIP,SLEEVE               |  |   | 4     |   |  |   |  |   |
| H | 10       | 730-0565    | CAP,RUBBER,ROD GUIDE WT STK                |   |  | 2     |  | 55       | 730-1174     | GASKET, BASE HANDLE, IN-D2110           |  |   | 2     |   |  |   |  | H |
|   | 11       | 730-0657    | SLEEVE,STOPPER,PULLEY                      |   |  | 2     |  | 56       | 730-1326     | SHROUD,LNL,D2110                        |  |   | 1     |   |  |   |  |   |
|   | 12       | 730-0679    | STOPPER, OD 17MM, HGH 10.5MM               |   |  | 4     |  | 57       | 730-1398     | WSA-LNL, 180LB, 15H, SP                 |  |   | 1     |   |  |   |  |   |
|   | 13       | 730-0702    | SHROUD, TOP, LP                            |   |  | 2     |  | 58       | 730-1423     | WASHER, M11 X 38OD                      |  |   | 6     |   |  |   |  |   |
|   | 14       | 730-0704    | CAP,OUTSIDE,GRIP,25MM,AL                   |   |  | 4     |  | 59       | 730-1448     | STOP,BUMPER,WEIGHT PLATE, 25.4MM        |  |   | 2     |   |  |   |  |   |
| G | 15       | 730-0707    | WEIGHT STACK,FRAME                         |   |  | 1     |  | 60       | 730-1489-01  | STICKER,ADJUST FUNCTION,INSTRUCTION     |  |   | 2     |   |  |   |  | G |
|   | 16       | 730-0708    | CENTER,FRAMEE,SUPPORT                      |   |  | 1     |  | 61       | 730-1489-02  | STICKER,ADJUST FUNCTION,INSTRUCTION     |  |   | 2     |   |  |   |  |   |
|   | 17       | 730-0709    | TOP,SUPPORT,FRAME                          |   |  | 1     |  | 62       | 730-1491     | LABEL,INSTRUCTIONS,LOCK N LOAD          |  |   | 1     |   |  |   |  |   |
|   | 18       | 730-0711    | ARM, SHORT, IN-D2110N                      |   |  | 2     |  | 63       | 730-1676     | PAD,FOOT,FRAME,WELDED                   |  |   | 1     |   |  |   |  |   |
|   | 19       | 730-0713    | POST,SEAT,EXTENSION,ADJUSTMENT             |   |  | 1     |  | 64       | 730-1989     | RETAINING,SNAP,FOR HOLE DIA 47MM        |  |   | 8     |   |  |   |  | F |
| F | 20       | 730-0845    | SPEED NUT,U-STYLE CLIP-ON NUT,M8           |   |  | 6     |  | 65       | 730-1990     | CABLE ASSY,IN-D2110                     |  |   | 1     |   |  |   |  |   |
|   | 21       | 730-0858    | BUMPER, 45X25                              |   |  | 4     |  | 66       | 730-1991     | SLEEVE,STOPPER                          |  |   | 2     |   |  |   |  |   |
|   | 22       | 730-0885    | NUT,M6X1.0,JAM,HEX,SS                      |   |  | 2     |  | 67       | 730-2057     | BRACKET,MOVING,PULLEY                   |  |   | 1     |   |  |   |  |   |
|   | 23       | 730-0889    | SCREW,M8X1.25,20MM,SHCS,HE,SS              |   |  | 4     |  | 68       | 730-2128     | WEIGHT STACK,GUIDE RAIL                 |  |   | 2     |   |  |   |  | E |
| E | 24       | 730-0891    | SCREW,M8X1.25,30MM,SHCS,HE,SS              |   |  | 1     |  | 69       | 730-2132     | BEARING, 6004                           |  |   | 8     |   |  |   |  |   |
|   | 25       | 730-0892    | SCREW,M8X1.25,55MM,SHCS,HE,SS              |   |  | 1     |  | 70       | 730-2133     | SCREW,M4X0.7,15MM,SHCS,HE,SS            |  |   | 2     |   |  |   |  |   |
|   | 26       | 730-0899    | Screw, M6x1.0, 12mm, PHM, PH, SS           |   |  | 2     |  | 71       | 730-2164     | FLANGE NUT, 1/2"-12                     |  |   | 2     |   |  |   |  |   |
|   | 27       | 730-0907    | WASHER,M10,SPLIT,LOCK                      |   |  | 3     |  | 72       | 730-7220-XXX | STICKER, PLACARD, INSTRUCTION, PF, NAUT |  |   | 1     |   |  |   |  | D |
|   | 28       | 730-0908    | WASHER,PLAIN,M10,SS                        |   |  | 29    |  | 73       | 731-0335     | STICKER, MADE IN CHINA, IP              |  |   | 1     |   |  |   |  |   |
| D | 29       | 730-0910    | WASHER,PLAIN,M8,SS                         |   |  | 8     |  | 74       | 731-7311     | STICKER,NAUTILUS,DECO,45MMX191MM        |  |   | 2     |   |  |   |  |   |
|   | 30       | 730-0911    | SPING,COMPRESSION ,ADJ,HDL                 |   |  | 1     |  |          |              |   |  |   |       |   |  |   |  |   |
|   | 31       | 730-0930    | WELD,HANDLE,EXTENSION,ADJ                  |   |  | 1     |  |          |              |   |  |   |       |   |  |   |  |   |
|   | 32       | 730-0935    | GRIP,SQUARE,ADJ HANDLE                     |   |  | 1     |  |          |              |   |  |   |       |   |  |   |  |   |
| C | 33       | 730-0936    | ASSY,TUBE,INSERT,SLEEVE                    |   |  | 2     |  |          |              |   |  |   |       |   |  |   |  |   |
|   | 34       | 730-0987    | CAM, TOP, PLATE, SUPPORT                   |   |  | 1     |  |          |              |   |  |   |       |   |  |   |  |   |
|   | 35       | 730-0991    | SPACER,SLEEVE,M16X48                       |   |  | 1     |  |          |              |   |  |   |       |   |  |   |  |   |
|   | 36       | 730-1098    | PULLEY ASSY,CABLE,DIA 89MM                 |   |  | 5     |  |          |              |   |  |   |       |   |  |   |  |   |
|   | 37       | 730-1103    | NUT,M18X1.25,NYLOC,SS                      |   |  | 5     |  |          |              |   |  |   |       |   |  |   |  |   |
|   | 38       | 730-1104    | NUT,M10X1.5,NYLOC,SS                       |   |  | 13    |  |          |              |   |  |   |       |   |  |   |  |   |
| B | 39       | 730-1112    | SCREW,M10X1.5,130MM,BHC,HE,SS              |   |  | 6     |  |          |              |   |  |   |       |   |  |   |  |   |
|   | 40       | 730-1118    | SCREW,M10X1.5,30MM,BHC,HE,SS               |   |  | 5     |  |          |              |   |  |   |       |   |  |   |  |   |
|   | 41       | 730-1119    | SCREW,M10X1.5,35MM,BHC,HE,SS               |   |  | 4     |  |          |              |   |  |   |       |   |  |   |  |   |
|   | 42       | 730-1123    | BOLT,M10X1.5X70,BHC,SS                     |   |  | 2     |  |          |              |   |  |   |       |   |  |   |  |   |
|   | 43       | 730-1126    | SCREW, M10X1.5,95 mm, BHC, SS              |   |  | 2     |  |          |              |   |  |   |       |   |  |   |  |   |
| A | 44       | 730-1131    | SCREW,M10X50,BHC,SS                        |   |  | 3     |  |          |              |   |  |   |       |   |  |   |  |   |
|   | 45       | 730-1138    | SCREW,M8X1.25,20MM,BHC,HE,SS               |   |  | 6     |  |          |              |   |  |   |       |   |  |   |  |   |



|   |                       |               |
|---|-----------------------|---------------|
| <b>CORE HEALTH &amp; FITNESS, LLC</b>               |                       |               |
| 4400 NE 77th Ave., Suite 300<br>Vancouver, WA 98662 |                       |               |
| CORE PART NO  | <b>NL-D2110-29AGS</b> | REV <b>A</b>  |
| TITLE<br>NL,DSS,PEC/DELTOID FLY,LNL                 |                       |               |
| SCALE: 1:22   | SHEET 2 OF 3          | SHEET SIZE: B |



|   |                       |               |
|---|-----------------------|---------------|
| <b>CORE HEALTH &amp; FITNESS, LLC</b>               |                       |               |
| 4400 NE 77th Ave., Suite 300<br>Vancouver, WA 98662 |                       |               |
| CORE PART NO  | <b>NL-D2110-29AGS</b> | REV <b>A</b>  |
| TITLE<br>NL,DSS,PEC/DELTOID FLY,LNL                 |                       |               |
| SCALE: 1:22   | SHEET 3 OF 3          | SHEET SIZE: B |